

TAX INVOICE COPY



Customer Masstores (Pty) Ltd
VAT No. 4300119155
Liquor License No. KZNLA/ETH/02/281014006

Invoiced to Cust No. MAK012 **Sell to Cust No.** M0127 **Meridian Wine Distribution (Pty) L**

Invoiced to Address: Makro DC W99
 Masstores (Pty) Ltd
 Peltier Drive 16
 Sunninghill Ext 6
 SUNNINGHILL EXT 6,
 South Africa

Delivered to Address: Makro Liquor Springfield Park
 Masstores (Pty) Ltd
 Umgeni & Electron Road
 Springfield
 Durban, KwaZulu Natal 4091
 South Africa

Contact Name Moon Pillay
Contact No. 011-976-0001/2

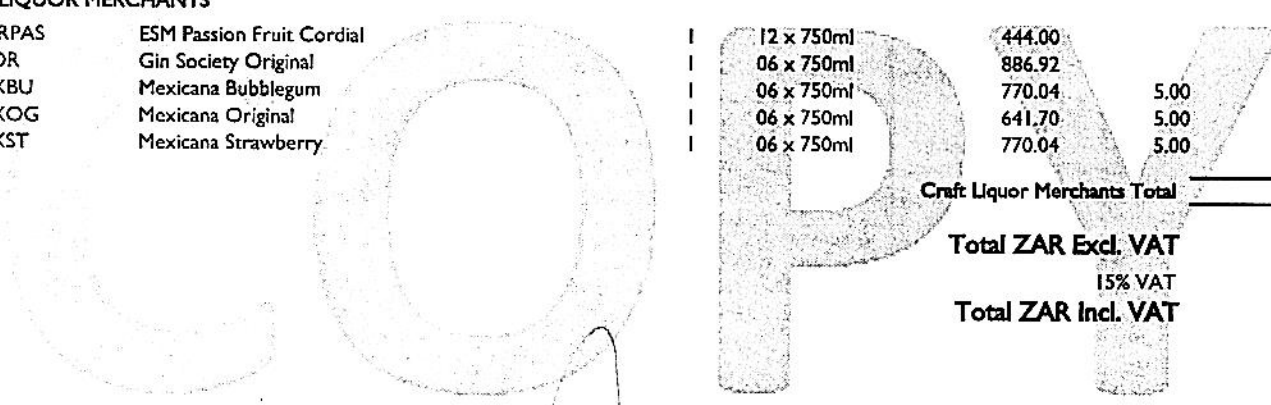
Phone No. (031) 705 95
VAT Reg No. 45201817
Liquor License No. RG00055
Company Reg No. 1999/001626/

Your Reference - 4510465661

Invoice No. PSI1237717 **Posting Date** 22/07/2025 **Payment Terms** 30 Days from Stateme
SO No. SO1360734 **Due Date** 31/08/2025 **Promised Delivery Date** 23/07/202

Code	Description	Quantity	Unit of Measure	Unit Price Excl. VAT	Discount %	Total Excl. V
CRAFT LIQUOR MERCHANTS						
ESMCORPAS	ESM Passion Fruit Cordial	1	12 x 750ml	444.00		444
ESMGSOR	Gin Society Original	1	06 x 750ml	886.92		886
ESMMEXBU	Mexicana Bubblegum	1	06 x 750ml	770.04	5.00	731
ESMMEXOG	Mexicana Original	1	06 x 750ml	641.70	5.00	609
ESMMEXST	Mexicana Strawberry	1	06 x 750ml	770.04	5.00	731

Craft Liquor Merchants Total 3,403
Total ZAR Excl. VAT 3,403.
 15% VAT 510
Total ZAR Incl. VAT 3,914.



Liquor Runners Durban
 DEBRIEFED

Signed _____

Makro Springfield makro
 SPRINGFIELD
LIQUOR
 NAME: Sibelo
 TIME: _____
 SIGNATURE: _____

Thanks for your business.

BANKING DETAILS

Acc Name: Meridian Wine Distribution (Pty) Ltd **Branch:** 250 655 **Swift:** FIRNZAJJ
Bank Name: First National Bank **Acc No:** 62 204 833 744



Call Us
 0861 113 959



Email Us
 orders@groupmeridian.co.za



Customer Service
 query@groupmeridian.co.za

MAKRO / A Division of Massmart (Pty) Ltd.
 Reg. No. 1991/06805/07
 Vat No. 430019155

PROOF OF DELIVERY

M071 Springsfield Liquor Store
 90 Election Road
 Durban, 4001

Vendor: 9482 MERIDIAN WINE DISTRI GRAFI
 PO BOX 5592
 RIVONITA, GAUTENG, 2128

DOCUMENT NUMBER: 5028968101

SO Number:

Files Number:

Document Date: 23.07.2025

Document Time: 09:13:37

Page: 1 of 1

Printed On 23.07.2025 at 09:53:55

Vendor Vat No: 4520181753
 Contact: Shane Allchin

Order Number: 4510465661
 RGR No: 5816540441
 Courier Name: NON-COURIER

Vendor Document Numbers: 1237717

ARTICLE	ARTICLE NO.	UOM	PACK SIZE	ORDER QTY	INVOICE QTY	DEL QTY	FINAL QTY	DIFF QTY	ADVICE REASON CODE
437459	GIN SOCIETY ORIGINAL GIN 750ML	PK	6	1	1	1	1		
432388	MEXICANA ORIGINAL TEQUILA 750ML	PK	6	1	1	1	1		
319982	MEXICANA STRAWBERRY LIQUEUR 750ML	PK	6	1	1	1	1		
313699	ESM PASSION FRUIT CORDIAL 750ML	CS	12	1	1	1	1		
255528	MEXICANA BUBBLEGUM LIQUEUR 750ML	PK	6	1	1	1	1		

This document serves as the final proof of delivery. Remittance for this Order will be based on this Document.

NAME: _____
 SIGNATURE: _____

- 1 OVERSUPPLIED - TAKEN IN
- 2 DAMAGED - RETURNED
- 3 STOCK DATE EXPIRED - RETURNED
- 4 INVALID BARCODE - RETURNED
- 5 NOT MAKRO SELLING UNIT - RETURN
- 6 OVERSUPPLIED - RETURNED
- 7 NOT INV, NOT ORDERED - RETURNED
- 8 INVOICED, NOT ORDERED - RETURNED
- 9 INVOICED - NOT DELIVERED
- 10 INCREASE
- 11 DECREASE

Receiver: SAKUBHE SAKUBHE
 Validator: SAKUBHE
 Driver: MHLUNGU NKANYISO
 ID Number: 9004026279088
 Vehicle Reg: LTJDN014F

