

TAX INVOICE COPY



Page 1 of 1

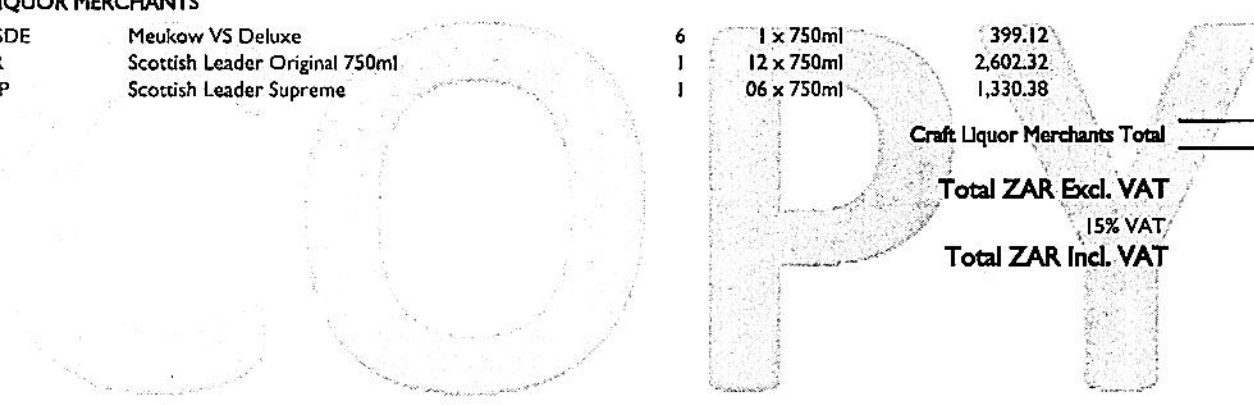
Customer Ultra Liquors Chatsworth CLM
VAT No. 4240232795
Liquor License No. NLA9-18373
Bill to Cust No. ULT304B
Sell to Cust No. ULT304B
Delivery Address: Ultra Liquors Chatsworth CLM
 Kevana Group CC
 Chatsworth
 Commerce Street 23
 WESTCLIFF, KWA-ZULU NATAL 4092
 South Africa
Contact Name Nirvahana Chetty
Contact No.

Meridian Wine Distribution (Pty) Ltd
 1 Sundew Road
 Unit A3, Ushukela Industrial Park
 CORNUBIA, KWA-ZULU NATAL 4345
 South Africa
Phone No. (031) 705 95 10
VAT Reg No. 4520181753
Liquor License No. RG0005535
Company Reg No. 1999/001626/07

Your Reference - 1155.101

Invoice No.	PS11237237	Posting Date	21/07/2025	Payment Terms	15 Days from Statement
SO No.	SO1359549	Due Date	15/08/2025	Promised Delivery Date	22/07/2025

Code	Description	Quantity	Unit of Measure	Unit Price Excl. VAT	Discount %	Total Excl. VAT
CRAFT LIQUOR MERCHANTS						
INCMEVSDE	Meukow VS Deluxe	6	1 x 750ml	399.12		2,394.72
INCSLOR	Scottish Leader Original 750ml	1	12 x 750ml	2,602.32		2,602.32
INCSLSUP	Scottish Leader Supreme	1	06 x 750ml	1,330.38		1,330.38
Craft Liquor Merchants Total						6,327.42
Total ZAR Excl. VAT						6,327.42
15% VAT						949.11
Total ZAR Incl. VAT						7,276.53



ULTRALIQUORS UL
 Address: 23 Commerce Street
 Nestcliff, Chatsworth
 Phone: 031 9433474
 Sign: *Chetty* 22/07/25

Thanks for your business.

BANKING DETAILS			
Acc Name:	Meridian Wine Distribution (Pty) Ltd	Branch:	250 655
Bank Name:	First National Bank	Acc No:	62 204 833 744
		Swift:	FIRNZAJJ

Liquor Runners Durban

DEBRIEFED



Signed *[Signature]*

