

# TAX INVOICE COPY



**Customer** Tops at Spar Marine Drive 80422  
**VAT No.** 4490239250  
**Liquor License No.** KZNLA/UG/2020/0009  
**Bill to Cust No.** SPA006  
**Sell to Cust No.** DST183  
**Delivery Address:** Tops at Spar Marine Drive 80422  
 KPR Retail Group (Pty) Ltd  
 Uvongo  
 Marine Drive  
 Uvongo, KWA-ZULU NATAL 4270  
 South Africa  
**Contact Name** Peter Blake Versfeld  
**Contact No.** +27 39 314 9758

MARINE DRIVE TOPS  
 80422  
 ORDERED BY: Zwelwile  
 DATE: 22/07/25  
 GRP No: 4767  
 In the event of queries our claim no's

**Meridian Wine Distribution (Pty) Ltd**  
 1 Sundew Road  
 Unit A3, Ushukela Industrial Park  
 CORNUBIA, KWA-ZULU NATAL 4345  
 South Africa  
**Phone No.** (031) 705 9510  
**VAT Reg No.** 4520181753  
**Liquor License No.** RG0005535  
**Company Reg No.** 1999/001626/07

**Your Reference - 7790**

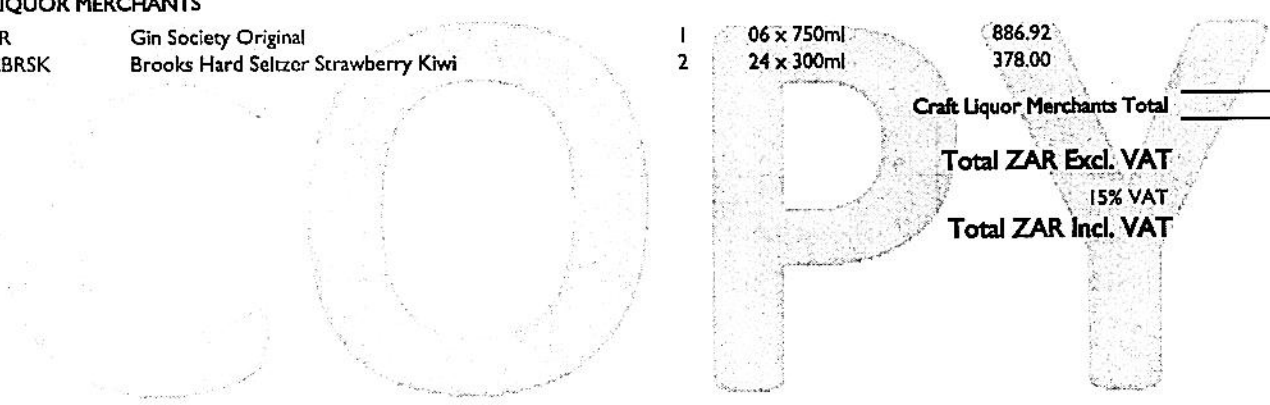
|             |            |              |            |                        |                        |
|-------------|------------|--------------|------------|------------------------|------------------------|
| Invoice No. | PS11237233 | Posting Date | 21/07/2025 | Payment Terms          | 15 Days from Statement |
| SO No.      | SO1360267  | Due Date     | 15/08/2025 | Promised Delivery Date | 22/07/2025             |

| Code | Description | Quantity | Unit of Measure | Unit Price Excl. VAT | Discount % | Total Excl. VAT |
|------|-------------|----------|-----------------|----------------------|------------|-----------------|
|------|-------------|----------|-----------------|----------------------|------------|-----------------|

**CRAFT LIQUOR MERCHANTS**

|           |                                     |   |            |        |  |        |
|-----------|-------------------------------------|---|------------|--------|--|--------|
| ESMGSOR   | Gin Society Original                | 1 | 06 x 750ml | 886.92 |  | 886.92 |
| INCMACBRK | Brooks Hard Seltzer Strawberry Kiwi | 2 | 24 x 300ml | 378.00 |  | 756.00 |

**Craft Liquor Merchants Total** 1,642.92  
**Total ZAR Excl. VAT** 1,642.92  
 15% VAT 246.44  
**Total ZAR Incl. VAT** 1,889.36



Liquor Runners Durban  
 DEBRIEFED

Signed \_\_\_\_\_

Thanks for your business.

**BANKING DETAILS**

|   |                               |                        |
|---|-------------------------------|------------------------|
| <b>Acc Name:</b> Meridian Wine Distribution (Pty) Ltd | <b>Branch:</b> 250 655        | <b>Swift:</b> FIRNZAJJ |
| <b>Bank Name:</b> First National Bank                 | <b>Acc No:</b> 62 204 833 744 |                        |



Call Us  
 0861 113 959



Email Us  
 orders@groupmeridian.co.za



Customer Service  
 query@groupmeridian.co.za