

TAX INVOICE COPY



Customer Oxford Liquor Market Waterfall
VAT No. 4650310560
Liquor License No. KZNLA/ETH/2023/0107
Bill to Cust No. OXF303
Sell to Cust No. OXF303
Delivery Address: Oxford Liquor Market Waterfall
 Kidbrooke Investments (Pty) Ltd
 Waterfall
 Link Hill Shopping Centre
 Inanda & Link Road
 WATERFALL, KwaZulu-Natal 3652

Contact Name Brett
Contact No. +27 31 451 9680

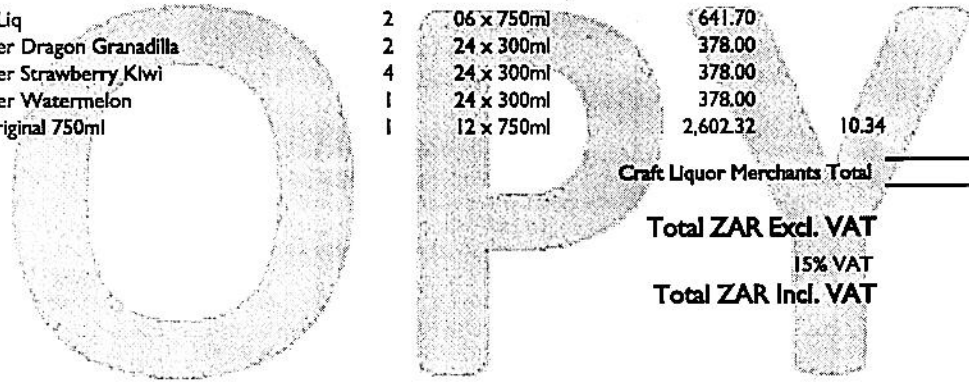
Page 1 of 1
Meridian Wine Distribution (Pty) Ltd
 1 Sundew Road
 Unit A3, Ushukela Industrial Park
 CORNUBIA, KWA-ZULU NATAL 4345
 South Africa
Phone No. (031) 705 9510
VAT Reg No. 4520181753
Liquor License No. RG0005535
Company Reg No. 1999/001626/07

Your Reference - 1240.039

Invoice No.	PS11233906	Posting Date	09/07/2025	Payment Terms	30 Days from Statement
SO No.	SO1355183	Due Date	31/08/2025	Promised Delivery Date	10/07/2025

Code	Description	Quantity	Unit of Measure	Unit Price Excl. VAT	Discount %	Total Excl. VAT
CRAFT LIQUOR MERCHANTS						
ESMFTPF	FT'S Passion Fruit Liq	2	06 x 750ml	641.70		1,283.40
INCMACBRDG	Brooks Hard Seltzer Dragon Granadilla	2	24 x 300ml	378.00		756.00
INCMACBRSK	Brooks Hard Seltzer Strawberry Kiwi	4	24 x 300ml	378.00		1,512.00
INCMACBRWA	Brooks Hard Seltzer Watermelon	1	24 x 300ml	378.00		378.00
INCSLOR	Scottish Leader Original 750ml	1	12 x 750ml	2,602.32	10.34	2,333.24
Craft Liquor Merchants Total						6,262.64
Total ZAR Excl. VAT						6,262.64
15% VAT						939.40
Total ZAR Incl. VAT						7,202.04

Liquor Runners Durban
 DEBRIEFED
 Signed _____



OXFORD - WATERFALL	
PROOF OF DELIVERY & CLAIMS	
DATE: 10/07/25	NAME: MIBRA
SIGN: _____	_____
CLAIMS (Y/N):
GRV REJECTED QTY:	GRV CLAIM QTY:
DRIVER NAME:	REG NO:
DRIVER SIGN:

Thanks for your business.

BANKING DETAILS			
Acc Name:	Meridian Wine Distribution (Pty) Ltd	Branch:	250 655
Bank Name:	First National Bank	Acc No:	62 204 833 744
		Swift:	FIRNZAJJ



Call Us
0861 113 959



Email Us
orders@groupmeridian.co.za



Customer Service
enquiry@groupmeridian.co.za