

TAX INVOICE COPY



Customer Boxer Liquors Hammersdale X092
VAT No. 4520103302
Liquor License No. KZNLA/ETH/2025/0679
Bill to Cust No. BOX001
Sell to Cust No. BOX350
Delivery Address: Boxer Liquors Hammersdale X092
 Boxer Superstores (Pty) Ltd
 Hammersdale
 Boxer Centre Shop 4
 Meyiwa Main Road
 Hammersdale

Meridian Wine Distribution (Pty) Ltd
 1 Sundew Road
 Unit A3, Ushukela Industrial Park
 CORNUBIA, KWA-ZULU NATAL 4345
 South Africa

Phone No. (031) 705 9510
VAT Reg No. 4520181753
Liquor License No. RG0005535
Company Reg No. 1999/001626/07

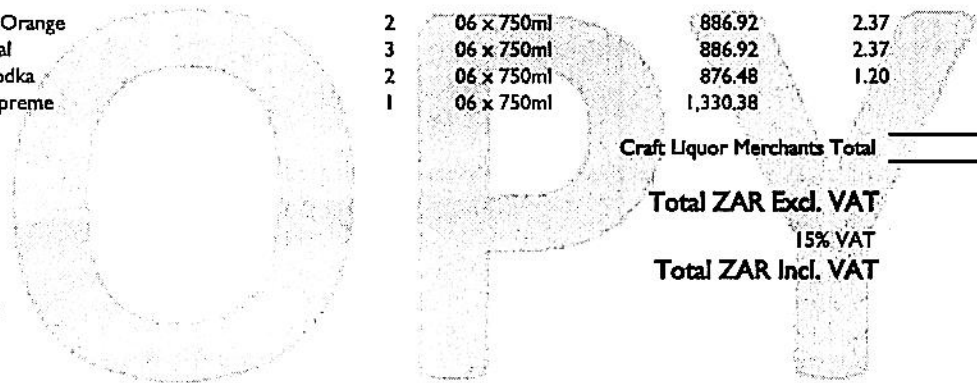
Contact Name
Contact No.

Your Reference - 389067

Invoice No.	PSI1231673	Posting Date	02/07/2025	Payment Terms	30 Days from Statement
SO No.	SO1353992	Due Date	31/08/2025	Promised Delivery Date	03/07/2025

Code	Description	Quantity	Unit of Measure	Unit Price Excl. VAT	Discount %	Total Excl. VAT
CRAFT LIQUOR MERCHANTS						
ESMGSBLO	Gin Society Blood Orange	2	06 x 750ml	886.92	2.37	1,731.80
ESMGSOR	Gin Society Original	3	06 x 750ml	886.92	2.37	2,597.70
ESMSAEXL	Sadko Exclusive Vodka	2	06 x 750ml	876.48	1.20	1,731.92
INCSLSUP	Scottish Leader Supreme	1	06 x 750ml	1,330.38		1,330.38
Craft Liquor Merchants Total						7,391.80
Total ZAR Excl. VAT						7,391.80
15% VAT						1,108.77
Total ZAR Incl. VAT						8,500.57

Liquor Runners Durban
 DEBRIEFED
 Signed _____



CONTENTS NOT CHECKED
 Boxer Hammersdale
 092
 17279859
 03-07-25
 12.3.1679
 f.z.w. b.o.s.f.s
 kele

Thanks for your business.

BANKING DETAILS			
Acc Name:	Meridian Wine Distribution (Pty) Ltd	Branch:	250 655
Bank Name:	First National Bank	Acc No:	62 204 833 744
		Swift:	FIRNZAJJ

Call Us
 0861 113 959

Email Us
orders@groupmeridian.co.za

Customer Service
query@groupmeridian.co.za

BOXER SUPERSTORES (PTY) LTD 08125

Reg. No. 198900254807

Supplier: MERKIDINWINE

DELIVERY RECEIVED NOTE

Date: 1 03 10/15

Invoice No.: 1231673



Branch: HM0 092

Purchase Order No.: 389067

17279859

Number of Items	Shortages / Returns	Claim Number	Invoice Cost
<u>8 CASES</u>	<u>-</u>	<u>-</u>	<u>8500-57</u>

Delivery received by:

Name: BUSINESS/THOMAS

Supplier's Signature: [Signature]

Signature: [Signature]

Vehicle Registration No.: FW 603 FS

Supplied by LITHOTECH KZN 164: (031) 700 2577 REF: BOX010003